



**DIESELKEEPER™**

## Filler Neck Diagram: Two Pin Two Pin Fuel Inlet (non-threaded)

Kindly refer to diagram on the left and complete for the fuel inlet:  
(Measurements should go from shortest to longest)

A \_\_\_\_\_ inches

B \_\_\_\_\_ inches

C \_\_\_\_\_ inches

D \_\_\_\_\_ inches

Make \_\_\_\_\_

Model / Year \_\_\_\_\_ / \_\_\_\_\_

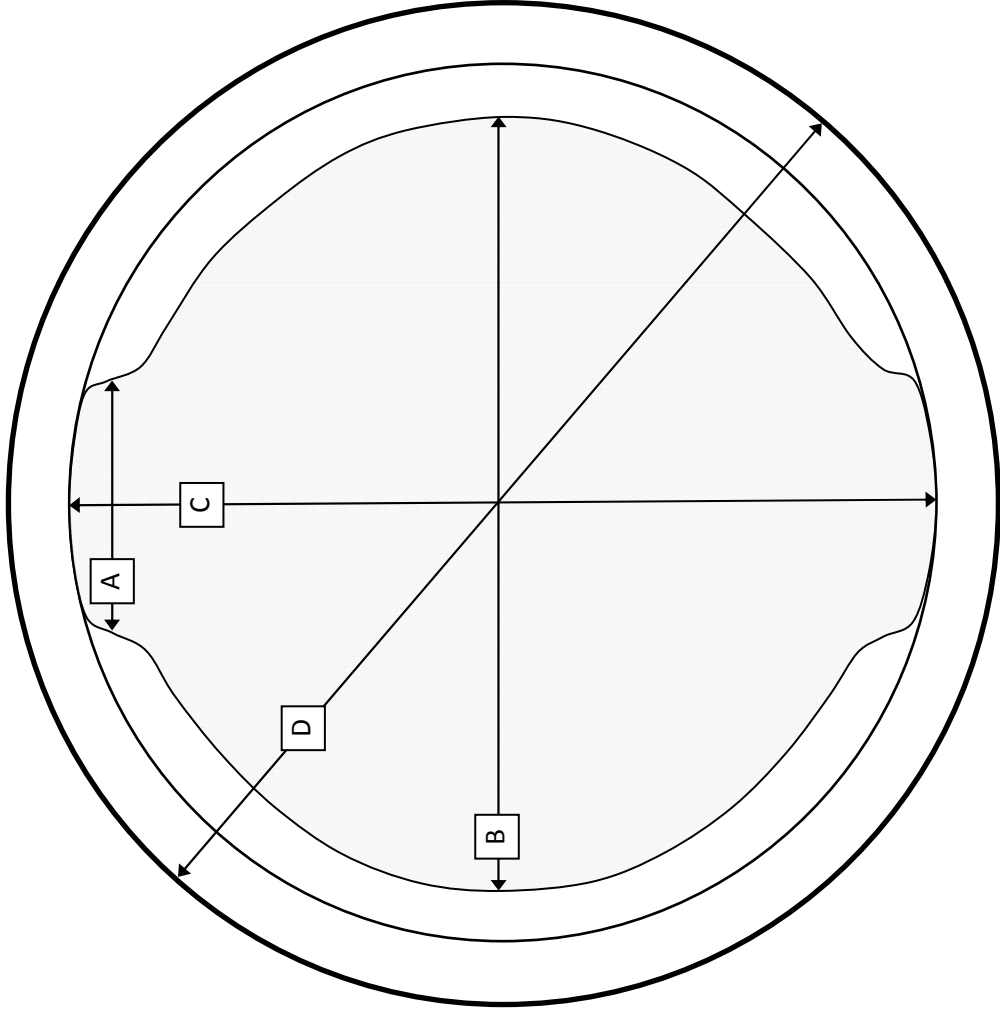
Other notes \_\_\_\_\_  
\_\_\_\_\_  
\_\_\_\_\_

Name \_\_\_\_\_

Company \_\_\_\_\_

Tel: work (\_\_\_\_) (\_\_\_\_) \_\_\_\_\_

Tel: mobile (\_\_\_\_) (\_\_\_\_) \_\_\_\_\_



**Fax completed form to: 678-840-7853**



Tel: 678-417-5900

Fax: 678-840-7853

**DIESELKEEPER™** info@dieselkeeper.com



**DIESELKEEPER™**

## Filler Neck Diagram: Three Pin Three Pin Fuel Inlet (non-threaded)

Kindly refer to diagram on the left and complete for the fuel inlet:  
(Measurements should go from shortest to longest)

A \_\_\_\_\_ inches

B \_\_\_\_\_ inches

C \_\_\_\_\_ inches

D \_\_\_\_\_ inches

Make \_\_\_\_\_

Model / Year \_\_\_\_\_ / \_\_\_\_\_

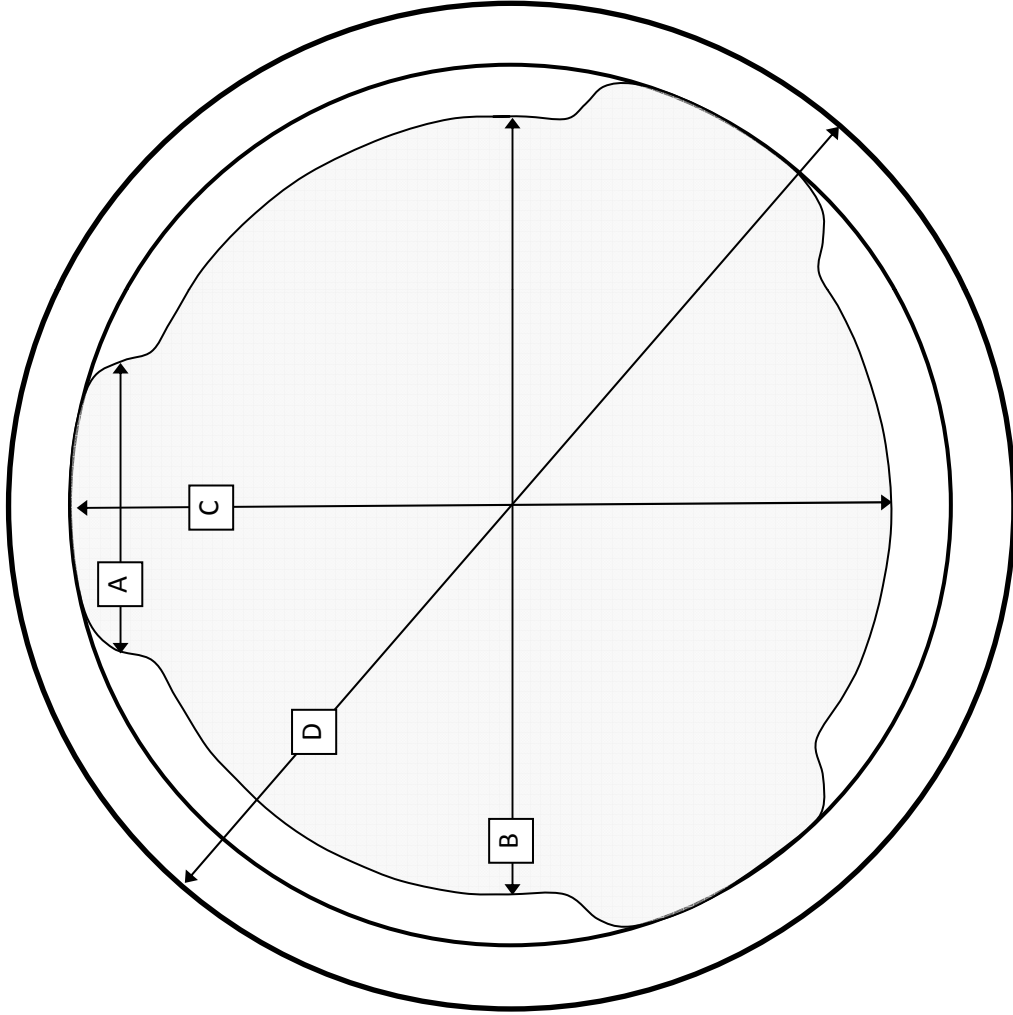
Other notes \_\_\_\_\_  
\_\_\_\_\_  
\_\_\_\_\_

Name \_\_\_\_\_

Company \_\_\_\_\_

Tel: work (\_\_\_\_) (\_\_\_\_) \_\_\_\_\_

Tel: mobile (\_\_\_\_) (\_\_\_\_) \_\_\_\_\_



**Fax completed form to: 678-840-7853**



Tel: 678-417-5900

Fax: 678-840-7853

**DIESELKEEPER™** info@dieselkeeper.com